

PRODUCT CODE	RATED DURATION	OPERATING MODE*	LIGHT SOURCE	LIGHT INTENSITY on EMERGENCY**	TYPE of MOUNTING	BATTERY CHARGING TIME
AA209-PW2/DALI	3 h	Non-Maintained	2x9W LED	1590 -> 1340 lm	Surface Mounted	24 h

* Non-maintained : Lights in case of the mains failure.

** In lumen values, the larger value indicates the measurement in 60 seconds, the smaller value indicates the value at the end of 3 h.

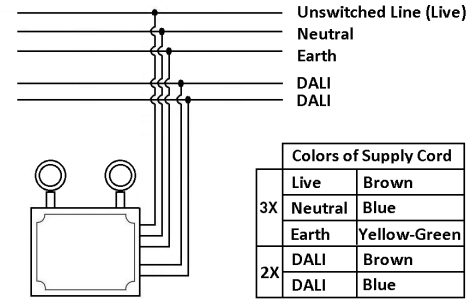
MAINS DATA

PRODUCT CODE	RATED POWER (W)*	MAINS CURRENT (A)*	POWER FACTOR (PF)*	DIMENSIONS (mm)	WEIGHT (kg)	QTY in CARTON BOX
AA209-PW2/DALI	1,25 - 8,90	0,010 - 0,058	0,50 - 0,67	90 x 240 x 200	4,00	1

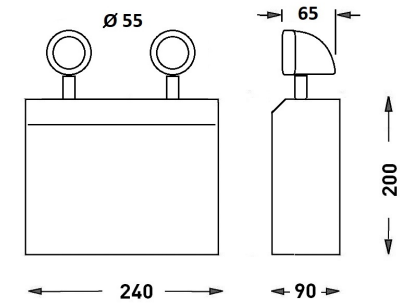
* Measured under 230 V mains.

Maximum values are measured with discharged batteries and values are minimum measured with full-charged batteries.

WIRING DIAGRAM



TECHNICAL DRAWING



- 180° adjustable LED headlamp
- SMD Power LED application
- Long life-time (30.000 hours)
- Emergency lighting function by interruption of the unswitched phase
- Emergency lighting function in case of low-voltage
- 3 h duration in case of emergency
- Status display with green and red LEDs
- Test switch
- Remote control and test with DALI interface
- Maintenance-free sealed lead acid battery
- Overcharge and deep discharge protection
- Charging circuit with constant voltage and current protection
- Wall mounted
- Powder coated, white iron sheet case
- Optional - 110 VAC compatibility
- Optional - LiFePO4 battery application



In accordance with EN 60598-1, EN 60598-2-22, EN 62386 standards.

TECHNICAL DATA

SUPPLY VOLTAGE :	230 VAC 50/60 Hz	HEADLAMP TYPE :	9W LED
AMBIENT TEMPERATURE (ta)* :	+10 °C ... +40 °C	CASE MATERIAL :	Iron Sheet
RATED DURATION :	3 h	PROTECTION CLASS :	IP 20
BATTERY TYPE :	12V Lead-Acid	INSULATION CLASS :	I

* Optionally, it is produced in accordance with the ambient temperature range of ta = -5 ° C... +40 ° C.

LED INDICATION FUNCTIONS

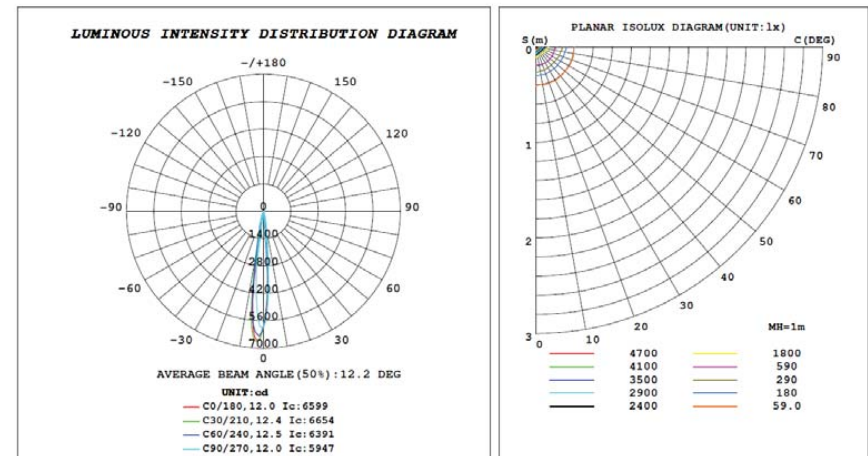
Permanent GREEN	Charge mode
Fast flashing GREEN (0,1s on - 0,1s off)	Function test
Slow flashing GREEN (1s on - 1s off)	Duration test
Permanent RED	Load failure
Slow flashing RED (1s on - 1s off)	Battery failure
Fast flashing RED (0,1s on - 0,1s off)	Charging failure
Double pulsing GREEN	Inhibit mode
Binary transmission of address via GREEN/RED	Addressing or identification
GREEN and RED off	Emergency mode

TEST SWITCH FUNCTIONS

Short press (<1s)	Starts the function test or terminate the all tests.
Long press (>5s)*	Starts the duration test.

* The battery must be 100% full before the duration test can be started.

LIGHT DISTRIBUTION CURVE



* Above curve is measured data just for one headlamp