

EMERGENCY LIGHTING LUMINAIRES – LED SOMON XLED2 / WELCO

PRODUCT LIST



- Wireless communication, Wi-Fi (802.11 b/g/n)
- Possible to access from anywhere in the world with cloud technology
- Remote monitoring and testing with WELCO software
- Indoor and outdoor use
- Polycarbonate case and glass
- Moisture-proof
- SMD LED application
- High energy saving
- Long life-time (50.000 hours)
- Emergency lighting function by interruption of the unswitched phase
- Emergency lighting function in case of low-voltage
- 3 hours duration in case of emergency
- Status display with green and red LEDs
- Test switch
- High-temperature Ni-Cd battery cells
- Overcharge and deep discharge protection
- Ceiling mounted, ceiling recessed or wall mounted
- Optional - 110 VAC compatibility
- Optional - LiFePO4 or Ni-MH battery application

PRODUCT CODE	RATED DURATION	OPERATING MODE*	LIGHT SOURCE	LIGHT INTENSITY on ENERGY/EMERGENCY**	TYPE of MOUNTING	BATTERY CHARGING TIME
BYPL06-S-XLED2/WELCO/1W	3 h	Maintained	20 x SMD LED	115 lm / 105->74 lm	Recessed / Surface Mounted	24 h
BYPL06-A-XLED2/WELCO/1W	3 h	Non-Maintained	20 x SMD LED	115->90 lm	Recessed / Surface Mounted	24 h
BYPL06-A-XLED2/WELCO/2W	3 h	Non-Maintained	20 x SMD LED	250->195 lm	Recessed / Surface Mounted	24 h
BYPL06-A-XLED2/WELCO/3W	3 h	Non-Maintained	20 x SMD LED	375->293 lm	Recessed / Surface Mounted	24 h
BYPL06-A-XLED2/WELCO/4W	3 h	Non-Maintained	20 x SMD LED	500->390 lm	Recessed / Surface Mounted	24 h

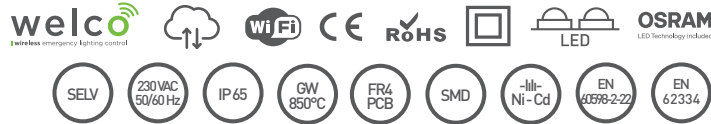
* Maintained: Lights on mains and stays alight in case of the mains failure.
Non-Maintained: Lights only in case of the mains failure.

** In lumen values, the larger value indicates the measurement in 60 seconds, the smaller value indicates the value at the end of 3 h.

MAINS DATA

PRODUCT CODE	RATED POWER (W)*	MAINS CURRENT (A)*	POWER FACTOR (PF)*	DIMENSIONS (mm)	WEIGHT (kg)	QTY in CARTON BOX
BYPL06-S-XLED2/WELCO/1W	5,05	0,036	0,60	108x341x60	0,630	1
BYPL06-A-XLED2/WELCO/1W	1,45	0,018	0,35	108x341x60	0,630	1
BYPL06-A-XLED2/WELCO/2W	1,65	0,019	0,37	108x341x60	0,690	1
BYPL06-A-XLED2/WELCO/3W	2,60	0,024	0,45	108x341x60	0,780	1
BYPL06-A-XLED2/WELCO/4W	3,15	0,027	0,48	108x341x60	0,850	1

* Measured under 230 V mains.



In accordance with EN 60598-1, EN 60598-2-22, EN 62034 standards.

TECHNICAL DATA

SUPPLY VOLTAGE :	230 VAC 50/60 Hz	LIGHT SOURCE :	SMD LED
AMBIENT TEMPERATURE (ta) :	-5 °C ... +40 °C	DIFFUSER :	Polycarbonate Glass
RATED DURATION :	3 h	PROTECTION CLASS :	IP 65
BATTERY CHARGING TIME :	24 h	INSULATION CLASS :	II
BATTERY TYPE :	3,6 V Ni-Cd		

LED INDICATION FUNCTIONS

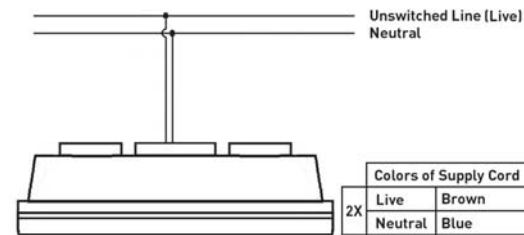
Permanent GREEN	Charge mode
Fast flashing GREEN (0,1s on - 0,1s off)	Function test
Slow flashing GREEN (1s on - 1s off)	Duration test
Permanent RED	Load failure
Slow flashing RED (1s on - 1s off)	Battery failure
Fast flashing RED (0,1s on - 0,1s off)	Charging failure
Double pulsing GREEN	Inhibit mode
Binary transmission of address via GREEN/RED	Addressing or identification
GREEN and RED off	Emergency mode

TEST SWITCH FUNCTIONS

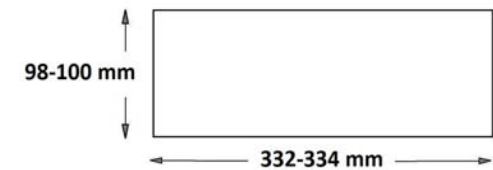
Short press (<1s)	Starts the function test or terminate the all tests.
Long press (>5s)*	Starts the duration test.

* The battery must be 100% full before the duration test can be started.

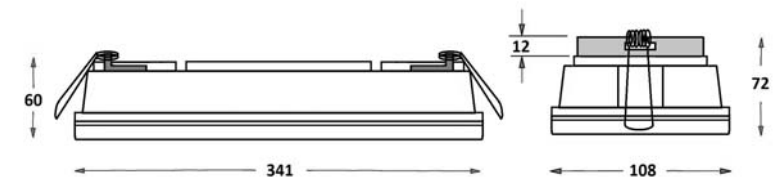
WIRING DIAGRAM



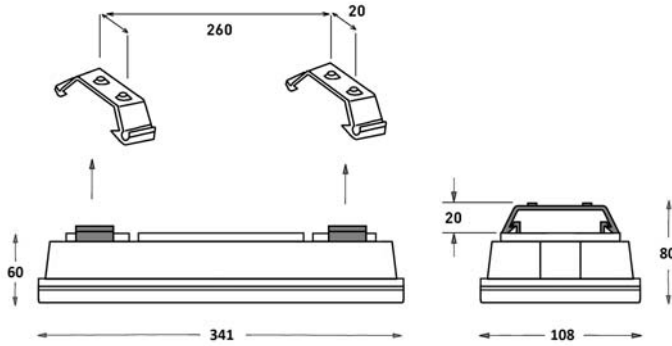
RECESSED MOUNTING HOLE SIZE



TECHNICAL DRAWING / RECESSED MOUNTED



TECHNICAL DRAWING / SURFACE MOUNTED



Open Area (Anti-Panic) Lighting (for min. 0,5 lux)			Escape Route Lighting (for min. 1 lux)		
Mounting Height (m)	Distance Between Luminaire and Wall (m)	Distance Between Luminaires (m)	Mounting Height (m)	Distance Between Luminaire and Wall (m)	Distance Between Luminaires (m)
2,00	3,00	5,50	2,00	3,00	5,75
2,50	3,50	6,75	2,50	3,50	7,00
3,00	4,00	7,75	3,00	4,00	7,75
3,50	4,25	8,50	3,50	4,25	8,50
4,00	4,50	9,25	4,00	4,25	9,25

LIGHT DISTRIBUTION CURVE

PHOTOMETRY DATA (1W)

Open Area (Anti-Panic) Lighting (for min. 0,5 lux)			Escape Route Lighting (for min. 1 lux)		
Mounting Height (m)	Distance Between Luminaire and Wall (m)	Distance Between Luminaires (m)	Mounting Height (m)	Distance Between Luminaire and Wall (m)	Distance Between Luminaires (m)
2,00	2,00	3,00	2,00	2,00	3,50
2,50	2,25	4,00	2,50	2,25	4,25
3,00	2,75	4,75	3,00	2,50	4,50
3,50	2,75	5,50	3,50	2,50	5,00
4,00	2,75	6,00	4,00	2,25	5,25

