

PRODUCT CODE	RATED DURATION	OPERATING MODE*	LIGHT SOURCE	ROUTING MODE	TYPE OF MOUNTING
BYPL02-S-XLED2/WELCO	3 h	Main-tained	20 x SMD LED	Double-sided	Surface Mounted

\* Maintained: Lights on mains and stays alight in case of the mains failure.

### MAINS DATA

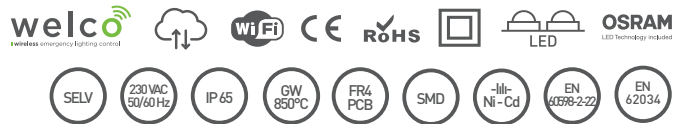
PRODUCT CODE	RATED POWER [W]*	MAINS CURRENT [A]*	POWER FACTOR [PF]*	DIMENSIONS (mm)	WEIGHT (kg)	QTY in CARTON BOX
BYPL02-S-XLED2/WELCO	5,0	0,036	0,60	108 x 341 x 245	1,070	1

\* Measured under 230 V mains.



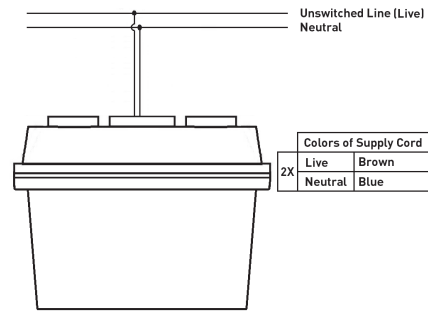
- Wireless communication, Wi-Fi (802.11 b/g/n)
- Possible to access from anywhere in the world with cloud technology
- Remote monitoring and testing with WELCO software
- Indoor and outdoor use
- Polycarbonate case and glass
- Moisture-proof
- SMD LED application
- High energy saving
- Long life-time (50.000 hours)
- Emergency lighting function by interruption of the unswitched phase
- Emergency lighting function in case of low-voltage
- 3 hours duration in case of emergency
- Status display with green and red LEDs
- Test switch
- High-temperature Ni-Cd battery cells
- Overcharge and deep discharge protection
- Ceiling mounted
- Optional - 110 VAC compatibility
- Optional - LiFePO4 or Ni-MH battery application

Please refer to "Pictogram Table" in Emergency Exit Luminaires Overview section of the catalogue for alternatives.

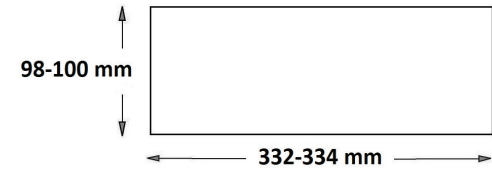


In accordance with EN 60598-1, EN 60598-2-22, EN 62034 standards.

### WIRING DIAGRAM



### RECESSED MOUNTING HOLE SIZE



### TECHNICAL DATA

SUPPLY VOLTAGE :	230 VAC 50/60 Hz	SIGN DIMENSIONS :	140 x 280 mm
AMBIENT TEMPERATURE (ta) :	-5 °C ... +40 °C	VIEWING DISTANCE :	24 m
RATED DURATION :	3 h	PROTECTION CLASS :	IP 65
BATTERY CHARGING TIME :	24 h	INSULATION CLASS :	II
BATTERY TYPE :	3,6 V Ni-Cd		

### LED INDICATION FUNCTIONS

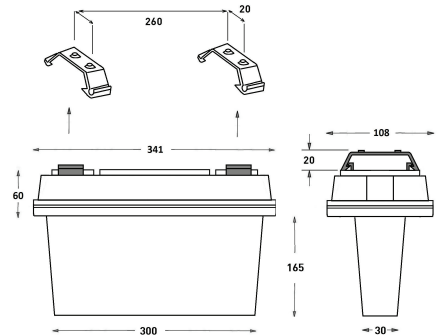
Permanent GREEN	Charge mode
Fast flashing GREEN (0,1s on - 0,1s off)	Function test
Slow flashing GREEN (1s on - 1s off)	Duration test
Permanent RED	Load failure
Slow flashing RED (1s on - 1s off)	Battery failure
Fast flashing RED (0,1s on - 0,1s off)	Charging failure
Double pulsing GREEN	Inhibit mode
Binary transmission of address via GREEN/RED	Addressing or identification
GREEN and RED off	Emergency mode

### TEST SWITCH FUNCTIONS

Short press (<1s)	Starts the function test or terminate the all tests.
Long press (>5s)*	Starts the duration test.

\* The battery must be 100% full before the duration test can be started.

### TECHNICAL DRAWING / SURFACE MOUNTED



### TECHNICAL DRAWING / RECESSED

