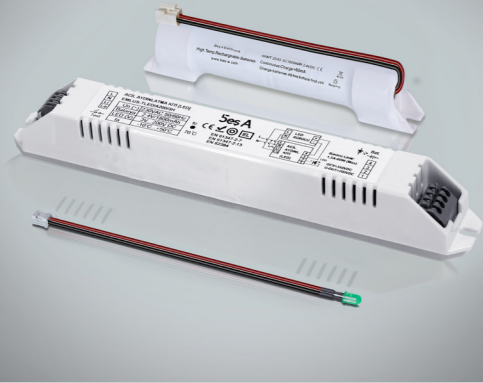


EMERGENCY LIGHTING UNITS - LED (EMLUS-TLED)

BATTERY AND MAINS DATA

PRODUCT CODE	BATTERY CAPACITY	RATED POWER (W)*	MAINS CURRENT (A)*	POWER FACTOR (PF) *	DIMENSIONS (mm)	WEIGHT (kg)	QTY in CARTON BOX
EMLUS-TLED/A040/3H	2,4V / 1800mAh	2,21	0,014	0,69	26 x 198 x 25	0,080	50
EMLUS-TLED/B040/3H	2,4V / 2500mAh	2,55	0,016	0,70	26 x 198 x 25	0,080	50
EMLUS-TLED/B050/3H	2,4V / 2500mAh	2,55	0,016	0,70	26 x 198 x 25	0,080	50
EMLUS-TLED/A090/3H	2,4V / 1800mAh	2,21	0,014	0,69	26 x 198 x 25	0,080	50
EMLUS-TLED/B090/3H	2,4V / 2500mAh	2,55	0,016	0,70	26 x 198 x 25	0,080	50
EMLUS-TLED/A200/3H	2,4V / 1800mAh	2,21	0,014	0,69	26 x 198 x 25	0,080	50
EMLUS-TLED/B200/3H	2,4V / 2500mAh	2,55	0,016	0,70	26 x 198 x 25	0,080	50
EMLUS-TLED/B200/1H	2,4V / 900mAh	1,79	0,008	0,68	26 x 198 x 25	0,080	50

- Compatible with panel LED, COB LED and power LED
- Compatible with all dimmable and non-dimmable, constant current LED control gears
- Non-maintained operation
- Emergency lighting function by interruption of the unswitched phase
- 1 - 3 h duration
- Emergency lighting function in case of low-voltage
- Constant current output
- Operation range of 3 ... 200 VDC
- Short-circuit, open-circuit and overload protection
- High-temperature Ni-Cd battery cells
- Overcharge and deep discharge protection
- Polarity reversal protection for battery
- Charge status display with green LED
- Simple connectable terminal block
- Polycarbonate case
- Optional - Test switch
- Optional - 110 VAC compatibility
- Optional - Ni-MH battery application



EMERGENCY LUMEN FACTOR

LED OPERATING VOLTAGE	LED OPERATING CURRENT 350mA	LED OPERATING CURRENT 500mA	LED OPERATING CURRENT 700mA	LED OPERATING CURRENT 1050mA	LED OPERATING CURRENT 1400mA
3 ... 40 VDC [A040]	%8,60	%6,00	%4,30	%2,90	%2,10
3 ... 40 VDC [B040]	%12,00	%8,40	%6,00	%4,00	%3,00
3 ... 50 VDC [B050]	%9,70	%6,80	%4,90	%3,20	%2,40
3 ... 90 VDC [A090]	%4,00	%2,80	%2,00	-	-
3 ... 90 VDC [B090]	%5,40	%3,80	%2,70	-	-
3 ... 200 VDC [A200]	%1,70	-	-	-	-
3 ... 200 VDC [B200]	%2,40	-	-	-	-

Measured with 2,4 V battery under maximum operating voltage.



In accordance with EN 61347-1, EN 61347-2-7 and EN 61347-2-13 standards.

BATTERY DATA

VOLTAGE	CAPACITY	CELL TYPE	CELL SIZE (mm)	QTY OF CELLS	DIMENSIONS (mm)	WEIGHT (kg)
2,4V	900mAh	AA	15	2	15 x 102±3 x 15	0,055
2,4V	1800mAh	SC	23	2	23 x 86±3 x 23	0,100
2,4V	2500mAh	C	26	2	26 x 100±3 x 26	0,160

Battery dimensions are given without holder. When the holders are added, the lengths will increase by +40mm and the diameter +5mm. Please refer to "Battery Details Table" in "Emergency Lighting Solutions Overview" section of the catalogue for further battery information.

TECHNICAL DATA

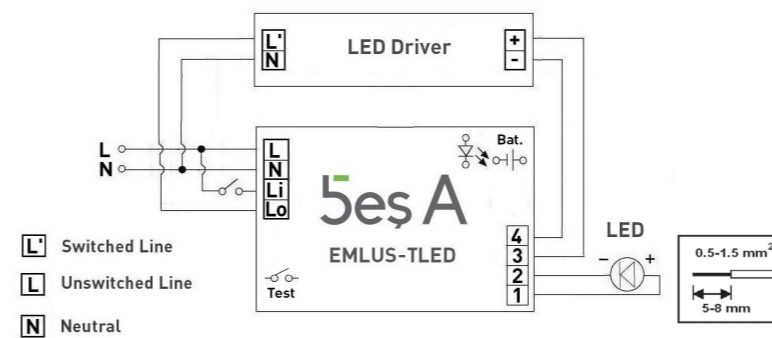
SUPPLY VOLTAGE :	230 VAC 50/60 Hz	OUTPUT CURRENT :	6 ... 35 mA
AMBIENT TEMPERATURE (ta) :	-10 °C ... +50 °C	OUTPUT VOLTAGE :	3 ... 200 VDC
MAX. CASING TEMPERATURE (tc) :	70 °C	OPEN CIRCUIT VOLTAGE :	350 VDC
RATED DURATION :	1 / 3 h	PROTECTION CLASS :	IP 20
BATTERY CHARGING TIME :	24 h	INSULATION CLASS :	II
EMERGENCY LUMEN FACTOR (BLF) :	%1,7 ... %12,0		

PRODUCT LIST

PRODUCT CODE	OUTPUT CURRENT*	LED MODULE OUTPUT VOLTAGE RANGE	LED CURRENT TOLERANCE	SERIES LED QUANTITY
EMLUS-TLED/A040	30 mA	3 ... 40 VDC	±%15	1 ... 13 LED
EMLUS-TLED/B040	42 mA	3 ... 40 VDC	±%15	1 ... 13 LED
EMLUS-TLED/B050	34 mA	3 ... 50 VDC	±%15	1 ... 17 LED
EMLUS-TLED/A090	14 mA	3 ... 90 VDC	±%15	1 ... 30 LED
EMLUS-TLED/B090	19 mA	3 ... 90 VDC	±%15	1 ... 30 LED
EMLUS-TLED/A200	6 mA	3 ... 200 VDC	±%15	1 ... 66 LED
EMLUS-TLED/B200	8,5 mA	3 ... 200 VDC	±%15	1 ... 66 LED

* Measured using maximum LED quantities with 2,4V battery.

WIRING DIAGRAM



TECHNICAL DRAWING

